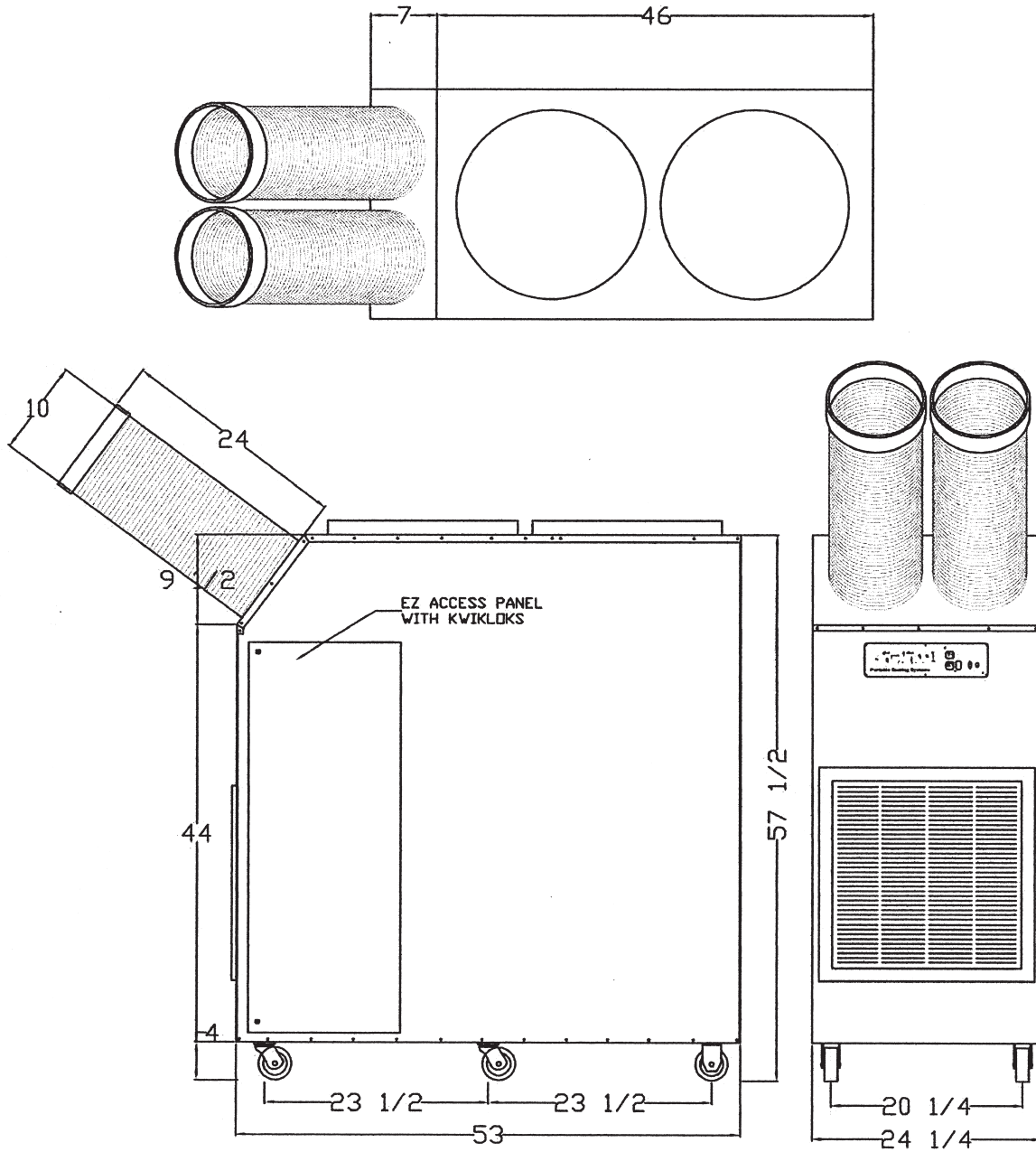


SAC6021



| | | |
|---------------------------|------------------------------|-------------------------------|
| COOLING CAPACITY | | |
| | BTU/hr @ 95°F at 60% RH | 60,000 (5 Ton) |
| COMPRESSOR DATA | | |
| | Compressor Type | Hermetic Recip. |
| | Operating Temperatures | 60°F-110°F 50% RH |
| FAN DATA | | |
| EVAPORATOR | | |
| | Fan Type (Centrifigul) | Direct Drive |
| | Air Flow (CFM) / Speeds | 2000/3 |
| | Supply Air Chute Data | 2 -10x24" |
| | Supply Air Chute Max. Length | 25' |
| | Motor HP | 1 |
| CONDENSER | | |
| | Fan Type (Centrifigul) | Belt Drive |
| | Air Flow (CFM) | 3000 |
| | Condenser Hose Data | 2 - 20"x8' |
| | Condenser Hose Max. Length | 25' |
| | Motor HP | 2 |
| ELECTRICAL DATA | | |
| | Power Supply (Volts) | 208/230-1Ø |
| | Current Consumption (Amps) | 50.5/45.5 |
| | Power Consumption (KW) | 8.8 |
| | Circuit Breaker Size (Amps) | 60/50 |
| | Min/Max Voltage | 195-225/ 210-25 |
| | Power Cord Guage/Length | 8AWG/10' |
| | Plug Configuration | Field Supplied |
| DIMENSIONAL DATA | | |
| | Width (Inches) | 24.25" |
| | Depth (Inches) | 53 |
| | Height (Inches) | 57.5" |
| | Weight (Pounds) | 557 |
| | Shipping Weight (Pounds) | 597 |
| SAFETY DEVICE DATA | | |
| | Compressor Overload | Internal |
| | Fan Motor Overload | Automatic Internal |
| | Evaporator Freeze-up | Constant Pressure/Fan Control |
| | High Pressure | Manual |
| | Low Pressure | Automatic |
| | Compressor Short Cycle | Yes |
| | Automatic Restart | Yes |
| | Thermostat | Digital Microprocessor |
| | Condensate Pump Overflow | Yes |
| | Condensate Tank Overflow | Yes |