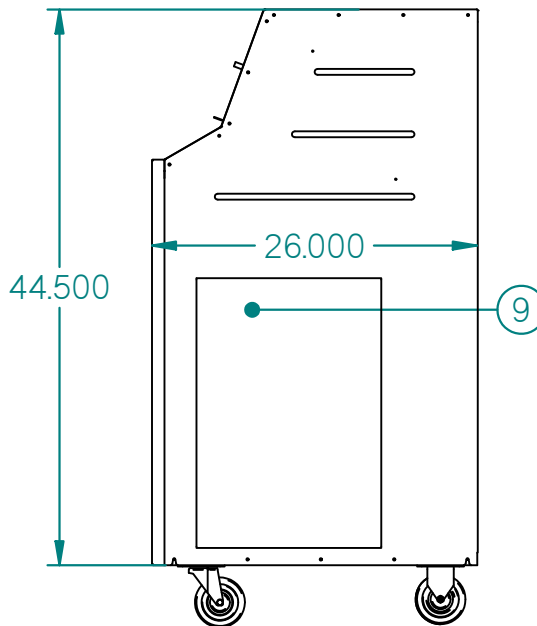
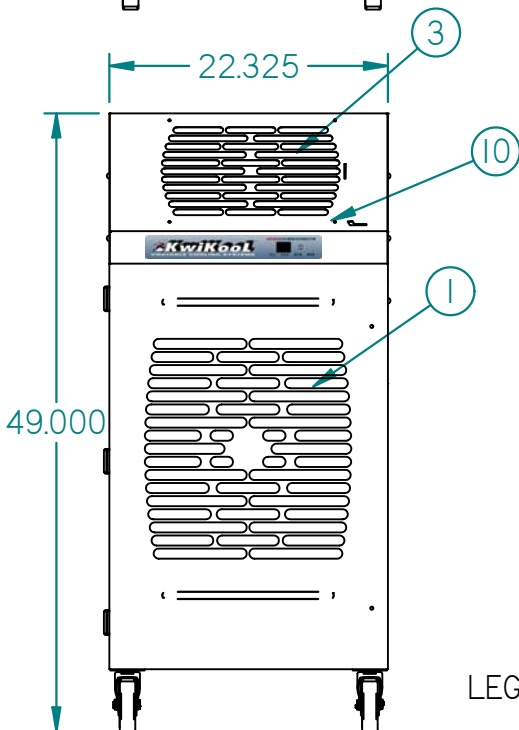
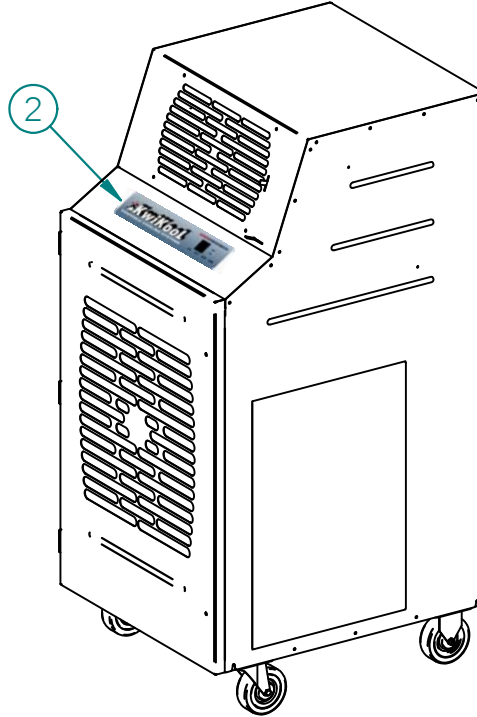
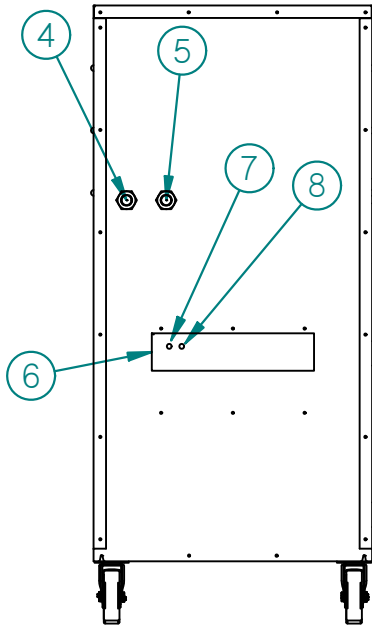


KWIB4221



LEGEND

- | | |
|-------------------|-------------------------|
| 1 Cold Air Return | 6 Power Cord |
| 2 Control Pad | 7 Condensate Nipple |
| 3 Cold Air Supply | 8 Condensate Alarm Jack |
| 4 Water Inlet | 9 Access Door |
| 5 Water Outlet | 10 Vent Control |



SPECIFICATIONS

KWIB4221 - 3.5 Ton

| COOLING CAPACITY | | |
|--------------------|---------------------------------|--------------------------|
| | BTU/hr @ 95F at 60% RH | 42,000 (3.5 Tons) |
| COMPRESSOR DATA | | |
| | Compressor Type | Hermetic Recip. |
| | Operating Temperatures | 60-110 F 50%RH |
| | Refrigerant | 407C |
| FAN DATA | | |
| Evaporator | | |
| | Fan Type (Centrifugal) | Direct Drive |
| | Air Flow (CFM) | 1400/3 Speed |
| | Supply Air Device | Adjustable Vent |
| | Supply Air Chute Kit (optional) | 2 - 8" Dia. x 21" Length |
| | Supply Air Chute Max. Length | 35' |
| Water Flow Data | | |
| | Flow Regulation Valve | Automatic |
| | Inlet Water 85F-95F Exit (GPM) | 10.5 |
| | Inlet Water 75F-95F Exit (GPM) | 5.25 |
| | Inlet Water 65F-95F Exit (GPM) | 3.5 |
| | Inlet Water 55F-95F Exit (GPM) | 2.75 |
| ELECTRICAL DATA | | |
| | Power Supply (Volts) | 208/230 - Single Phase |
| | Current Consumption (Amps) | 28/25.5 |
| | Power Consumption (KW) | 5 |
| | Maximum Circuit Breaker (Amps) | 40 at 208V/30 at 230V |
| | Minimum Circuit Capacity(Amps) | 25.25 |
| | Min./Max. Voltage | 195-225/210-250 |
| | Power Cord Gauge/Length | 10AWG/10' |
| | Plug Configuration | Field Supplied |
| DIMENSIONAL DATA | | |
| | Width x Depth x Height (Inches) | 22.325" x 26" x 49" |
| | Weight (Lbs.) | 285 |
| | Shipping Weight (Lbs.) | 360 |
| SAFETY DEVICE DATA | | |
| | Compressor Overload | Internal |
| | Fan Motor Overload | Automatic Internal |
| | Evaporator Freeze Protection | Hot Gas Bypass |
| | High Pressure Switch | Manual |
| | Low Pressure Switch | Automatic |
| | Compressor Short Cycle | Yes |
| | Automatic Restart | Yes |
| | Thermostat Type | Microprocessor/Digital |
| | Condensate Pump Overflow | Yes |
| | Condensate Tank Overflow | Yes |

1-800-KWIKOOL